

# Wayland 'Bud' Gladstone Andes Supervisor

*P.O. Box 125  
Andes NY 13731  
(845) 676 3231*

*[andessupervisor@gmail.com](mailto:andessupervisor@gmail.com)*

---

TDD -1-800-662-1220

April 19<sup>th</sup>, 2018

To Whom it May Concern,

The Local Flood Commission (LFC) is attempting to implement cost effective practices to lessen the impact of flooding to our local community. Funding is now available through the Catskill Watershed Corporation (CWC) to anchor fuel tanks located within the flood zone. Your property may qualify for this project. There will be no cost to the property owners; you merely need to apply. The CWC will cover the entire cost of anchoring propane, oil, and other fuel tanks within basements and outdoors.

Home and business owners in designated flood hazard areas within the "West-of-Hudson", or WHO, Watershed may get their propane and fuel oil tanks anchored to prevent the health and environmental effects of spills during flood events. Oil tanks of up to 330 gallons and propane tanks of up to 420 pounds are eligible for this preventative solution if they are within 500-year flood elevations anywhere in the five-county Catskill-Delaware Watershed, which includes large swaths of the Hamlet of Andes. Larger commercial propane tanks are also eligible for this service but require engineered designs and individual funding approvals from the CWC Board of Directors.

The Catskill Watershed Corporation will approve applications as they come in and oversee the work to make sure it is executed in conformance to the engineered drawings and specifications, also provided by the CWC. The Andes Town Board, in coordination with the Andes Local Flood Commission, will contract with a qualified contractor and coordinate their access to the properties with the property owners. Several locations will be grouped together for implementation for efficiency and to reduce disruptions throughout the hamlet.

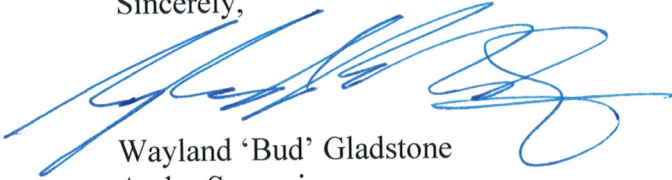
Included herein are photographs of various fuel tank anchor solutions along with the application. We encourage all qualifying homeowners to submit the enclosed application to the Andes Town Clerk, Attn: LFA, PO Box 125, Andes, NY 13731.

For assistance with the application, or questions, Mary Davis is the LFC liaison for this project and can be reached at 845-676-4575 or [moverlydavis@icloud.com](mailto:moverlydavis@icloud.com).

The Town of Andes is an equal opportunity employer and provider. To file a complaint of discrimination, write: USDA, Director, Office of Civil Rights, 1400 Independence Avenue, S.W. Washington, D.C. 20250-9410 or call (800) 795-3272 (voice) or (202) 720-6382 (TDD).

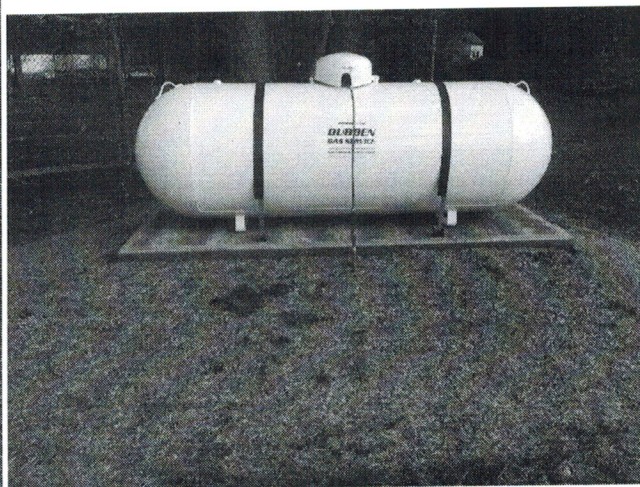
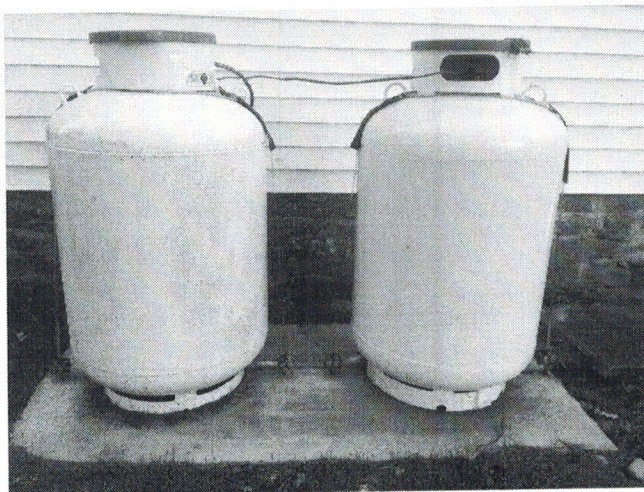
We are hopeful for your prompt approval for participation in this important program and look forward to a successful completion in coming months.

Sincerely,



Wayland 'Bud' Gladstone  
Andes Supervisor

*Examples of fuel tank anchors onto concrete pads*



Catskill Watershed Corporation  
PO Box 569, 905 Main Street  
Margaretville, NY 12455



Tel.: (845) 586-1400  
Fax: (845) 586-1401  
Toll Free: (877) WAT-SHED  
Website: [www.cwconline.org](http://www.cwconline.org)

---

## TANK ANCHORING PROGRAM APPLICATION

Application# \_\_\_\_\_

Property  
Owner: \_\_\_\_\_

Address: \_\_\_\_\_  
\_\_\_\_\_

Tax Map Parcel: \_\_\_\_\_

Project Address: \_\_\_\_\_

Phone/e-mail address: \_\_\_\_\_

Contractor's Name, Address, Phone#, e-mail \_\_\_\_\_  
\_\_\_\_\_

Contractor's estimate for work: \_\_\_\_\_

Location of well in relation to proposed tank anchoring: \_\_\_\_\_

Location of Septic tank and field in relation to proposed tank anchoring: \_\_\_\_\_

If possible supply a hand drawn site plan showing the well and septic locations in feet from tank location.

Is the tank used for heating oil or propane? \_\_\_\_\_

Size of tank to be anchored? \_\_\_\_\_

Is the tank in the basement or is it an exterior tank? \_\_\_\_\_

Oil tanks in the basement needs to be 5' or more from the boiler, furnace and the electric panel. All fill and vent lines are to be 2' or more from any window or door opening and 2' above the BFE. Any exterior tanks

need to be 5' or more from any property line.

Is the project location in the designated Flood Hazard Area: \_\_\_\_\_

Is this a Residential or Commercial Property? \_\_\_\_\_

If this is in a Mobile Home Park, who owns the tank to be anchored? \_\_\_\_\_

Homeowner agrees to allow the local Code Enforcement Officer and CWC staff on site for all phases of the Tank Anchoring Project to do all needed inspections.

Property Owner's Signature: \_\_\_\_\_

Date: \_\_\_\_\_

Once application has been approved for funding by CWC, a contract will need to be signed prior to work Starting.

**Catskill Watershed Corporation (CWC)**  
**Flood Hazard Mitigation – Tank Anchoring Program Participation Agreement**  
**Property Owner**

I/(we) \_\_\_\_\_ (Print Name) am owner of property located at \_\_\_\_\_, with a property tax identification number of \_\_\_\_\_, consent and agree to the following:

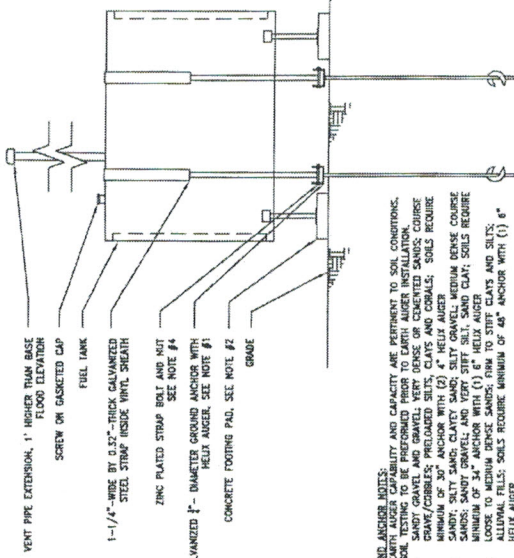
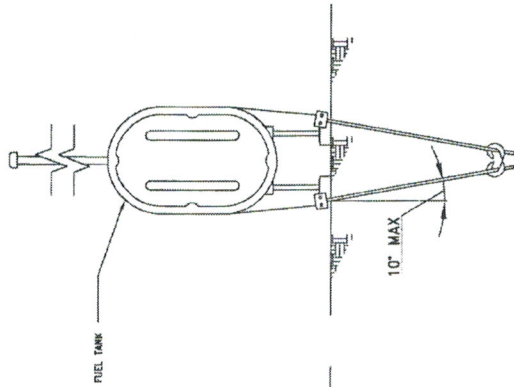
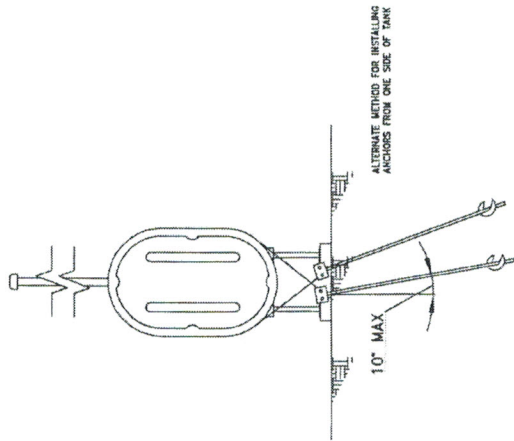
1. Under New York State law and as the property owner, I am responsible for my fuel tanks. Even though CWC may provide reimbursement to anchor my fuel tank, CWC does not own, operate, manage or control the fuel tanks on my property. I, and/or the owner of the fuel tank, will remain responsible for maintenance, operation, and any future replacement of the fuel tanks on my property.
2. To facilitate this program, I/(we) shall cooperate with any investigation by CWC related to the anchoring of my fuel tank. This may include unannounced exterior inspections during regular business hours. Interior inspections will only be done when I/(we) or our agents are present.
3. To facilitate this program, CWC will provide reimbursement only for necessary work required to anchor the fuel tank. Work that is ineligible for reimbursement includes work that is not required under New York State Building Code to anchor the fuel tank, as determined by CWC.
4. Funding by CWC may result in tax consequences affecting me(us). I am responsible for any federal, state and/or local taxes that may result from this funding.
5. I/(we) will hire or cause to be hired a contractor of my/(our) choice to construct and install tank anchor. CWC is not responsible for the work of the contractor I/(we) hire and CWC does not provide any warranty for the work on my fuel tank or system by my contractor.
6. I/(we) will also release and hold CWC harmless from any and all claims, suits, orders, fines, penalties or damages arising out of my ownership and operation of the fuel tanks and/or the work completed by my(our) contractor, including but not limited to any claims, suits, orders, fines, penalties or damages arising out of the anchoring of my fuel tank(s). In no circumstance will CWC be liable for any fuel spills or damage to a fuel tank.

Owner(s) Signature: \_\_\_\_\_ Date: \_\_\_\_\_

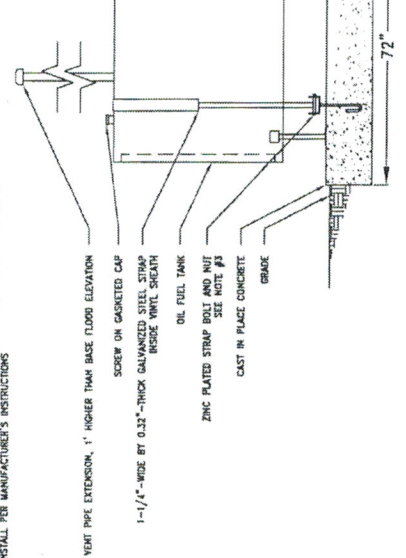
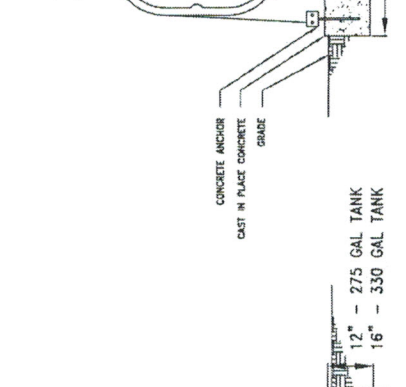
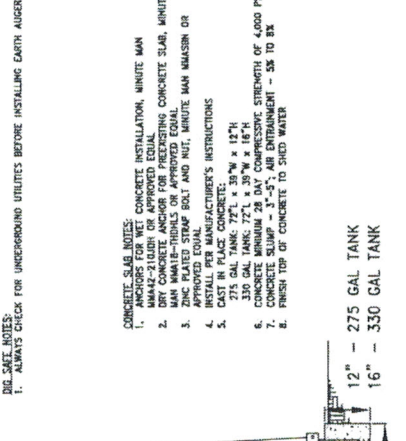
Mailing Address: \_\_\_\_\_

Telephone: \_\_\_\_\_ Home

\_\_\_\_\_ Work



- GROUND ANCHOR NOTES:**
1. SOIL TESTING TO BE PERFORMED PRIOR TO EARTH AUGER INSTALLATION.
  - 1.1. SANDY GRAVEL AND GRAVEL VERY DENSE OR COHESIVE SANDS; COARSE SANDS; SANDS WITH CLAY; CLAYS AND COALS; SOILS REQUIRE MANUFACTURED ANCHORS.
  - 1.2. SANDS; SILTY SAND; CLAYEY SAND; SILTY GRAVELS; MEDIUM DENSE COURSE SANDS; SANDY GRAVEL; AND VERY STIFF SILT, SAND CLAY; SOILS REQUIRE ANCHORS WITH (1) 1/2" HELIX AUGER.
  - 1.3. ALLOWED FILLS: SOILS REQUIRE MINIMUM OF 48" ANCHOR WITH (1) 1/2" HELIX AUGER.
  - 1.4. SOILS: FIRM CLAYS; ALLOWED FILLS: SOILS REQUIRE MINIMUM OF 48" ANCHOR WITH (1) 1/2" HELIX AUGER.
- TANK ANCHORING WITH EARTH AUGER**
- SCALE: N.T.S.

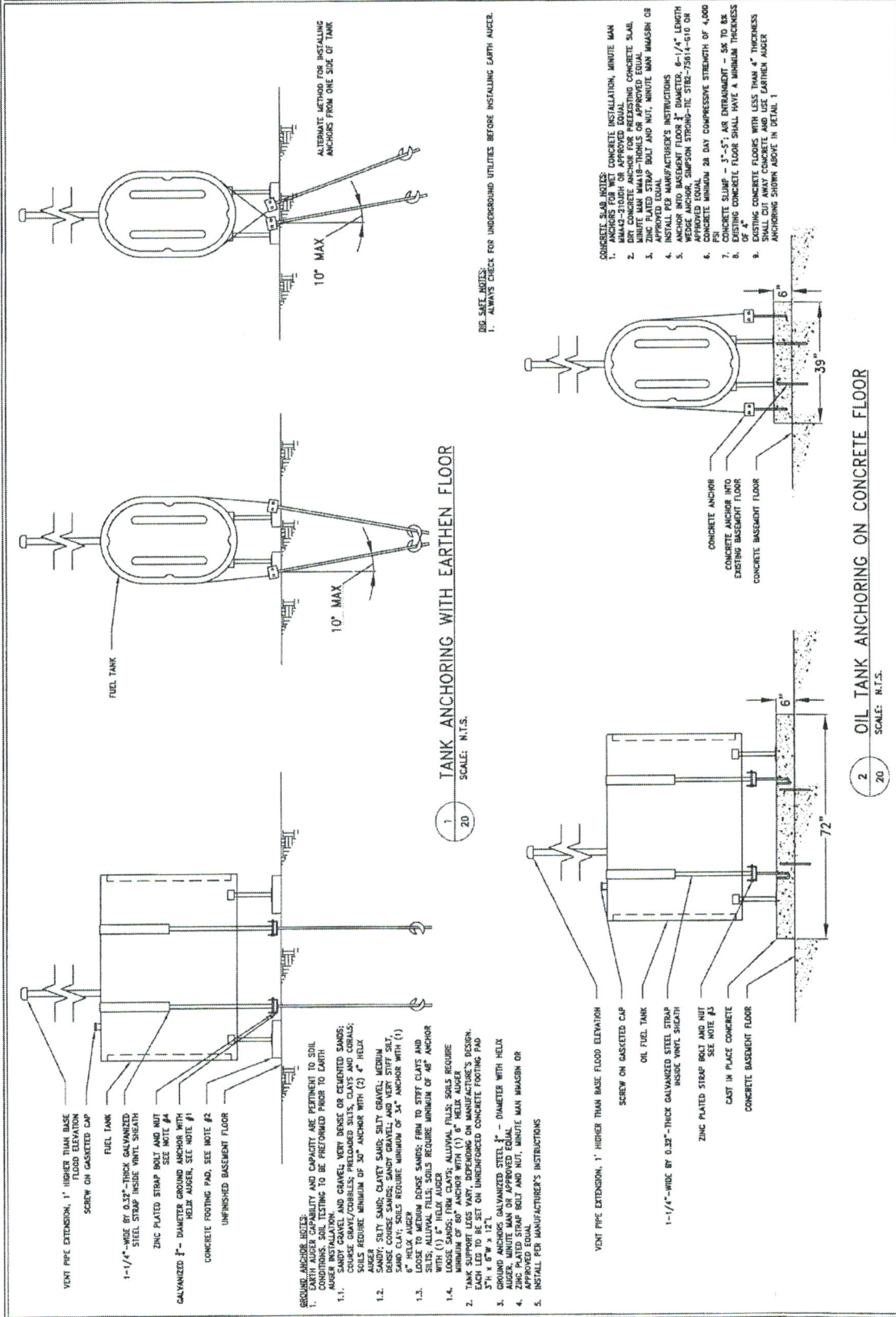


- CONCRETE SLAB NOTES:**
1. ANCHORS FOR VENT CONCRETE INSTALLATION, WHITE MAN DRY CONCRETE ANCHOR FOR PRECASTING CONCRETE SLAB, WHITE MAN WALL-THROUS OR APPROVED EQUAL.
  2. APPROVED CONCRETE BOLT AND NUT, WHITE MAN MANSON OR APPROVED EQUAL.
  3. APPROVED CONCRETE ANCHOR FOR PRECASTING CONCRETE SLAB, WHITE MAN WALL-THROUS OR APPROVED EQUAL.
  4. APPROVED CONCRETE BOLT AND NUT, WHITE MAN MANSON OR APPROVED EQUAL.
  5. APPROVED CONCRETE ANCHOR FOR PRECASTING CONCRETE SLAB, WHITE MAN WALL-THROUS OR APPROVED EQUAL.
  6. APPROVED CONCRETE BOLT AND NUT, WHITE MAN MANSON OR APPROVED EQUAL.
  7. APPROVED CONCRETE ANCHOR FOR PRECASTING CONCRETE SLAB, WHITE MAN WALL-THROUS OR APPROVED EQUAL.
  8. APPROVED CONCRETE BOLT AND NUT, WHITE MAN MANSON OR APPROVED EQUAL.
- DIG SAFE NOTES:**
1. ALWAYS CHECK FOR UNDERGROUND UTILITIES BEFORE INSTALLING EARTH AUGER.

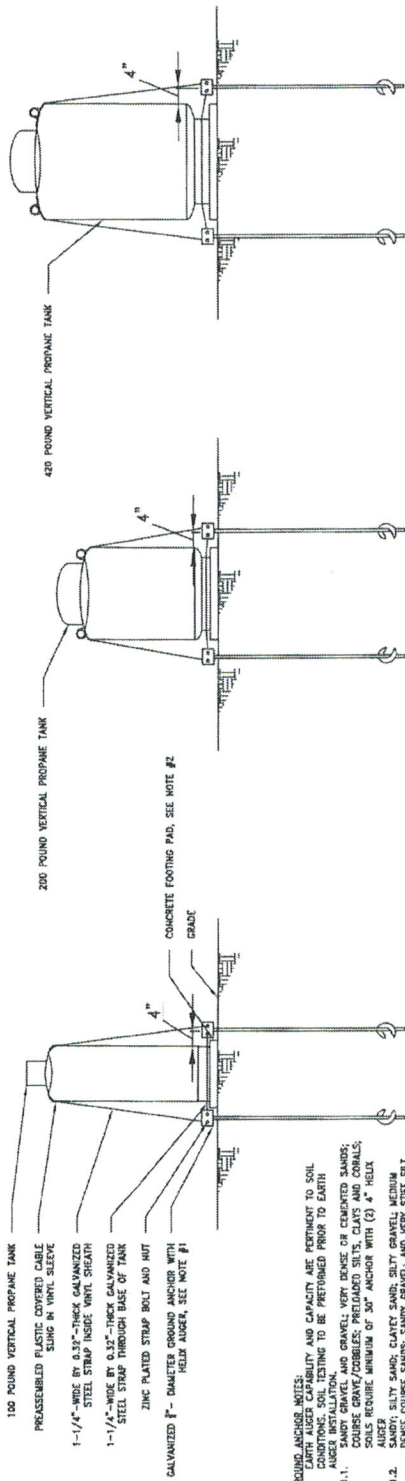
1 TANK ANCHORING WITH EARTH AUGER  
SCALE: N.T.S.

2 TANK ANCHORING ON CONCRETE SLAB  
SCALE: N.T.S.

3 TANK ANCHORING ON CONCRETE SLAB  
SCALE: N.T.S.



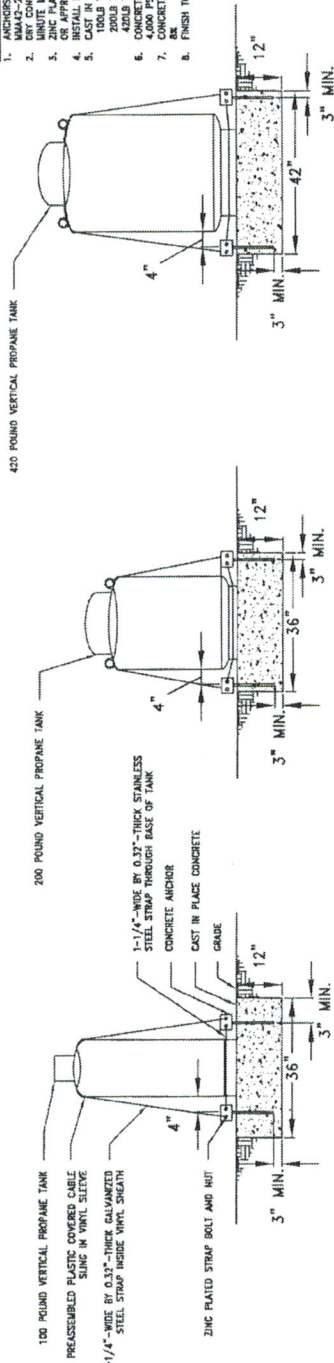




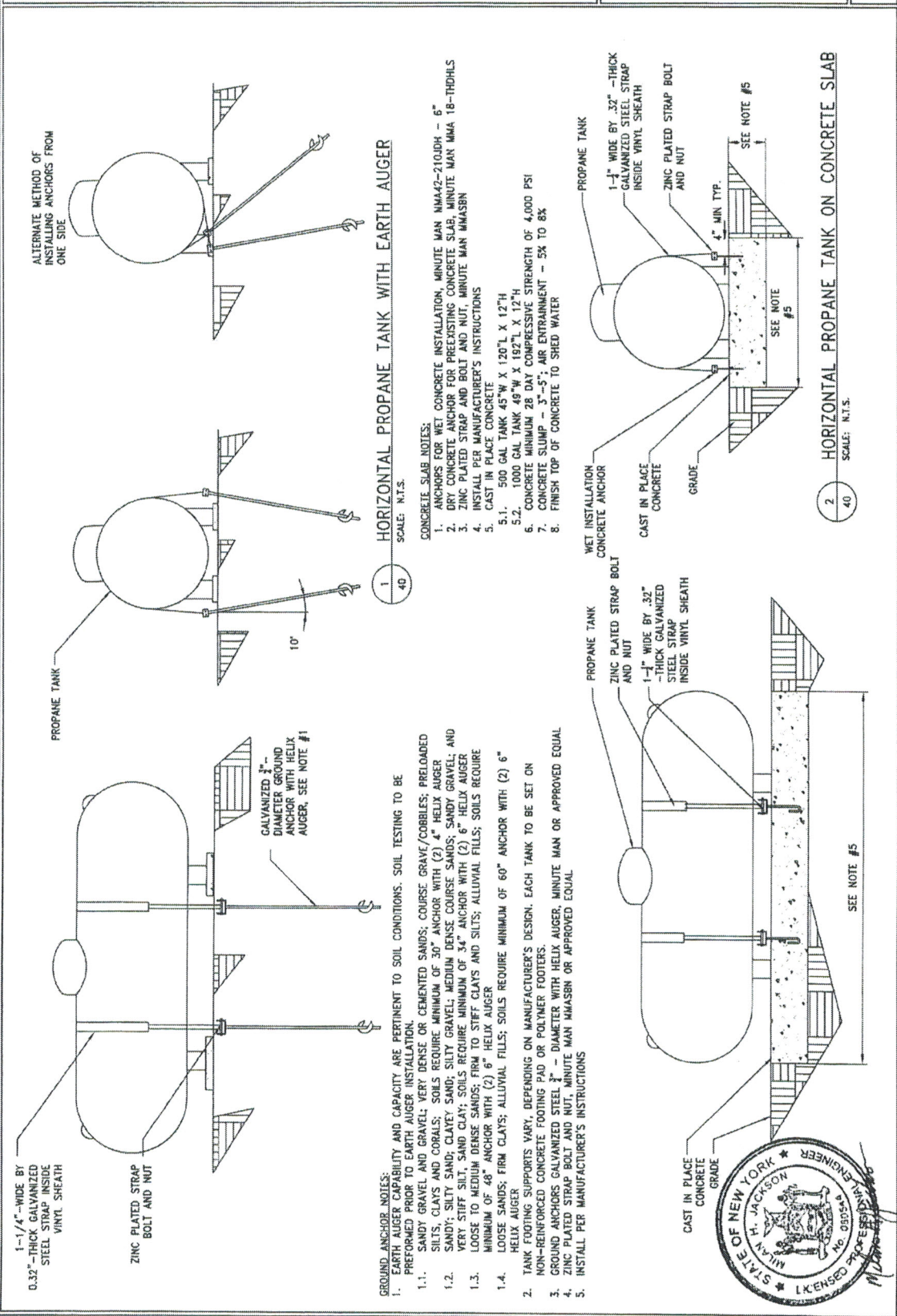
1 VERTICAL PROPANE TANK WITH EARTH AUGER  
SCALE: N.T.S.

- GROUND ANCHOR NOTES:**
1. ANCHOR CAPACITY AND CAPACITY ARE DEPENDENT TO SOIL CONDITIONS. SOIL TESTING TO BE PERFORMED PRIOR TO EARTH ANCHOR INSTALLATION.
  - 1.1. SANDS, GRAVEL AND GRAVEL WITH DENSE OR COMPACT SANDS; SANDS REQUIRING MINIMUM OF 30" ANCHOR WITH (2) 4" HELIX AUGER
  - 1.2. SANDY SILTY SANDS; CLAYEY SANDS; SILTY GRAVEL; MEDIUM SANDS; CLAYEY SILTY SANDS; SANDS REQUIRING MINIMUM OF 36" ANCHOR WITH (1) 8" HELIX AUGER
  - 1.3. LOOSE TO MEDIUM DENSE SANDS; FIRM TO STIFF CLAYS AND SILTY (1) 8" HELIX AUGER; SOILS REQUIRE MINIMUM OF 48" ANCHOR WITH (1) 8" HELIX AUGER
  - 1.4. MINIMUM OF 60" ANCHOR WITH (1) 8" HELIX AUGER
2. TANK FOOTING SUPPORTS VARY, DEPENDING ON MANUFACTURER'S TANK FOOTING SUPPORTS. TANK FOOTING SUPPORTS IN CONCRETE FOOTING PAD: 100LB TANK: 2"X10"X18"; 200LB TANK: 2"X14"X24"; 420LB TANK: 2"X18"X30"
3. GROUND ANCHORS GALVANIZED STEEL 7/8" DIAMETER WITH HELIX AUGER. MINUTE MAN OR APPROVED EQUAL.
  4. ZINC PLATED STRAP BOLT AND NUT, MINUTE MAN WALLSINK OR APPROVED EQUAL.
  5. INSTALL PER MANUFACTURER'S INSTRUCTIONS.

- CONCRETE SLAB NOTES:**
1. ANCHORS FOR MKT. CONCRETE INSTALLATION, MINUTE MAN WALLSINK OR APPROVED EQUAL.
  2. USE CONCRETE WALLSINK OR APPROVED EQUAL CONCRETE SLAB.
  3. ZINC PLATED STRAP BOLT AND NUT, MINUTE MAN WALLSINK OR APPROVED EQUAL.
  4. INSTALL PER MANUFACTURER'S INSTRUCTIONS.
  5. 100LB TANK: 55"W X 35"L X 12"H
  6. 200LB TANK: 58"W X 35"L X 12"H
  7. 420LB TANK: 62"W X 42"L X 12"H
  8. CONCRETE MINIMUM 28 DAY COMPRESSIVE STRENGTH OF 4,000 PSI
  9. CONCRETE SLUMP - 3"-5"; AIR ENTRAINMENT - 5% TO 8%
  10. PRIOR TOP OF CONCRETE TO SHEET WATER



2 VERTICAL PROPANE TANK ON CONCRETE SLAB  
SCALE: N.T.S.



1-1/4" - WIDE BY 0.32" - THICK GALVANIZED STEEL STRAP INSIDE VINYL SHEATH

ZINC PLATED STRAP BOLT AND NUT

PROANE TANK

10'

GALVANIZED 3/4" - DIAMETER GROUND ANCHOR WITH HELIX AUGER, SEE NOTE #1

**GROUND ANCHOR NOTES:**

- EARTH AUGER CAPABILITY AND CAPACITY ARE PERTINENT TO SOIL CONDITIONS. SOIL TESTING TO BE PERFORMED PRIOR TO EARTH AUGER INSTALLATION.
  - SANDY GRAVEL AND GRAVEL; VERY DENSE OR CEMENTED SANDS; COURSE GRAVE/COBBLES; PRELOADED SILTS, CLAYS AND CORALS; SOILS REQUIRE MINIMUM OF 30" ANCHOR WITH (2) 4" HELIX AUGER
  - SANDY; SILTY SAND; CLAYEY SAND; SILTY GRAVEL; MEDIUM DENSE COURSE SANDS; SANDY GRAVEL; AND VERY STIFF SILT, SAND CLAY; SOILS REQUIRE MINIMUM OF 34" ANCHOR WITH (2) 6" HELIX AUGER
  - LOOSE TO MEDIUM DENSE SANDS; FIRM TO STIFF CLAYS AND SILTS; ALLUVIAL FILLS; SOILS REQUIRE MINIMUM OF 48" ANCHOR WITH (2) 6" HELIX AUGER
  - LOOSE SANDS; FIRM CLAYS; ALLUVIAL FILLS; SOILS REQUIRE MINIMUM OF 60" ANCHOR WITH (2) 6" HELIX AUGER
- TANK FOOTING SUPPORTS VARY, DEPENDING ON MANUFACTURER'S DESIGN. EACH TANK TO BE SET ON NON-REINFORCED CONCRETE FOOTING PAD OR POLYMER FOOTERS.
- GROUND ANCHORS GALVANIZED STEEL 3/4" - DIAMETER WITH HELIX AUGER, MINUTE MAN OR APPROVED EQUAL
- ZINC PLATED STRAP BOLT AND NUT, MINUTE MAN MMSASBN OR APPROVED EQUAL
- INSTALL PER MANUFACTURER'S INSTRUCTIONS

**HORIZONTAL PROANE TANK WITH EARTH AUGER**

SCALE: N.T.S.

**CONCRETE SLAB NOTES:**

- ANCHORS FOR WET CONCRETE INSTALLATION, MINUTE MAN MMS42-210UDH - 6"
- DRY CONCRETE ANCHOR FOR PREEXISTING CONCRETE SLAB, MINUTE MAN MMSA 18-TDHLS
- ZINC PLATED STRAP AND BOLT AND NUT, MINUTE MAN MMSASBN
- INSTALL PER MANUFACTURER'S INSTRUCTIONS
- CAST IN PLACE CONCRETE
  - 500 GAL TANK 45" W X 120" L X 12" H
  - 1000 GAL TANK 48" W X 100" L X 12" H
- CONCRETE MINIMUM 28 DAY COMPRESSIVE STRENGTH OF 4,000 PSI
- CONCRETE SLUMP - 3"-5"; AIR ENTRAINMENT - 5% TO 8%
- FINISH TOP OF CONCRETE TO SHED WATER

PROANE TANK

ZINC PLATED STRAP BOLT AND NUT

1-1/4" WIDE BY .32" - THICK GALVANIZED STEEL STRAP INSIDE VINYL SHEATH

PROANE TANK

WET INSTALLATION CONCRETE ANCHOR

CAST IN PLACE CONCRETE

GRADE

4" MIN TYP

SEE NOTE #5

SEE NOTE #5

SEE NOTE #5

SEE NOTE #5

STATE OF NEW YORK  
MILAN H. JACKSON  
REGISTERED PROFESSIONAL ENGINEER  
NO. 095548  
1/1/2008

**2**  
40  
**HORIZONTAL PROANE TANK ON CONCRETE SLAB**  
SCALE: N.T.S.